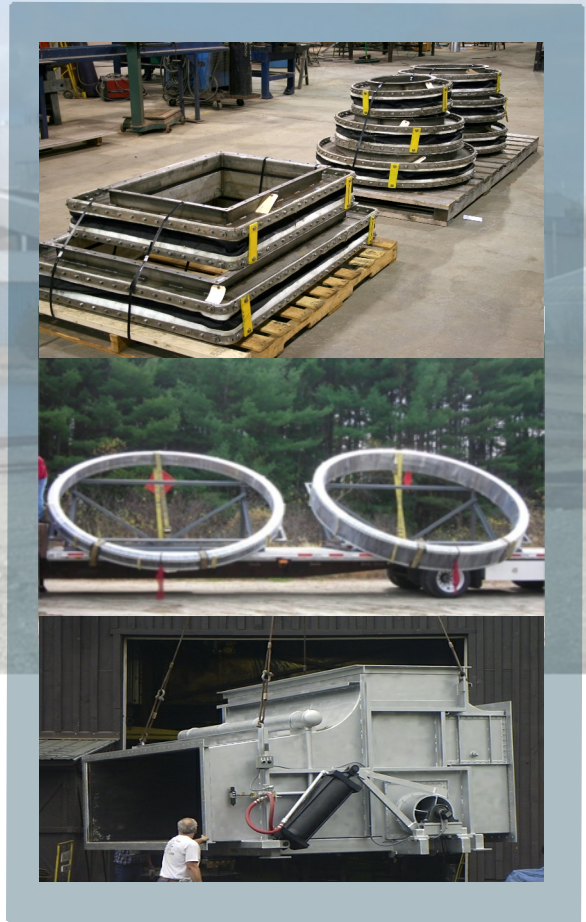


Expansion Joints and Dampers

- Air Pollution Control Systems
- Power Generation
- Cement Plants
- Pulp and Paper Mills
- Steel Mills
- Industrial Drying Systems



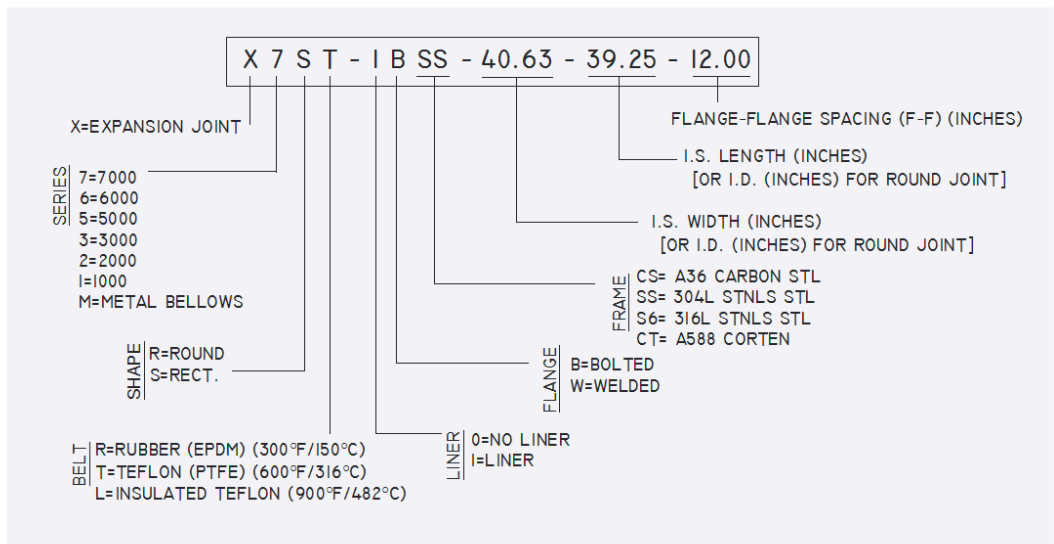
www.newfabinc.com

NEWFAB

928 Minot Avenue
Auburn, ME 04210
(207)-786-2446
sales@newfabinc.com

Expansion Joints

Part Numbering



NEWFAB Expansion Joints are rugged and built to last even in the most challenging industrial environments.

NEWFAB Fabric Expansion Joints are made with durable steel framework, rounded corners (for rectangular joints) and fiberglass cuff belt reinforcement for improved wear resistance (for Teflon and Insulated Teflon designs).

Frame materials include:

- A36 Carbon Steel
- 304L Stainless Steel
- 316L Stainless Steel
- A588 Corten

Belt materials include:

- EPDM (Synthetic Rubber) (300° F)
- Fiberglass-reinforced Teflon (PTFE)(600° F)
- Thermally-Insulated Teflon (PTFE) (900° F)

Other options including metal bellows style joints are available and not shown here. Contact NEWFAB Engineering for more information or to request a quote.



SERIES 6000 JOINTS



SERIES 3000 JOINTS

Series

1000

The **SERIES 1000** joint is a flat belt that mounts to existing framework. Belts are available punched or un-punched and spliced or endless.

2000

The **SERIES 2000** joint is supplied as a molded corner joint with steel backing bars. It is available with optional flow liner.

3000

The **SERIES 3000** joint has a raised belt profile, one or more liners, and an optional insulation sock. Flange hex nuts are captive-welded inside frame.

5000

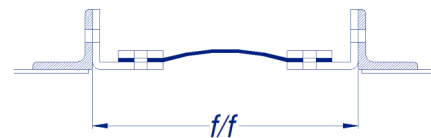
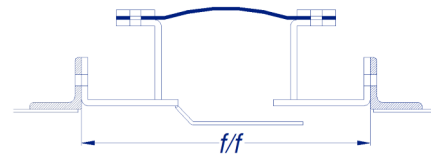
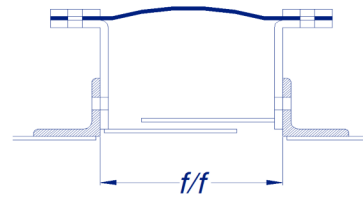
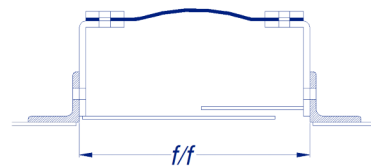
The **SERIES 5000** joint has a raised belt profile, one or more liners, and optional insulation sock. The belt extends beyond the frame for easy access and the flange hex nuts are welded inside frame.

6000

The **SERIES 6000** joint has a raised belt profile, one or more liners, and optional insulation sock. The belt extends beyond the frame for easy access.

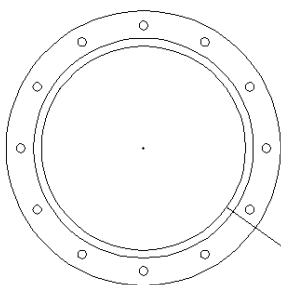
7000

The **SERIES 7000** joint has a low profile belt and flange design. The **SERIES 7000** is our most popular design and is available with optional flow liner.



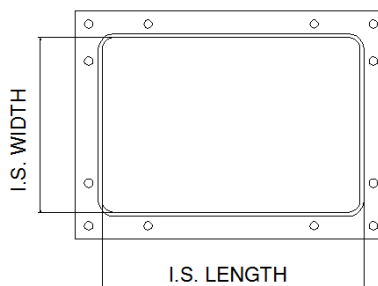
Cross Sectional View of Joint

ROUND FRAME



I.S. FLG

RECTANGULAR FRAME

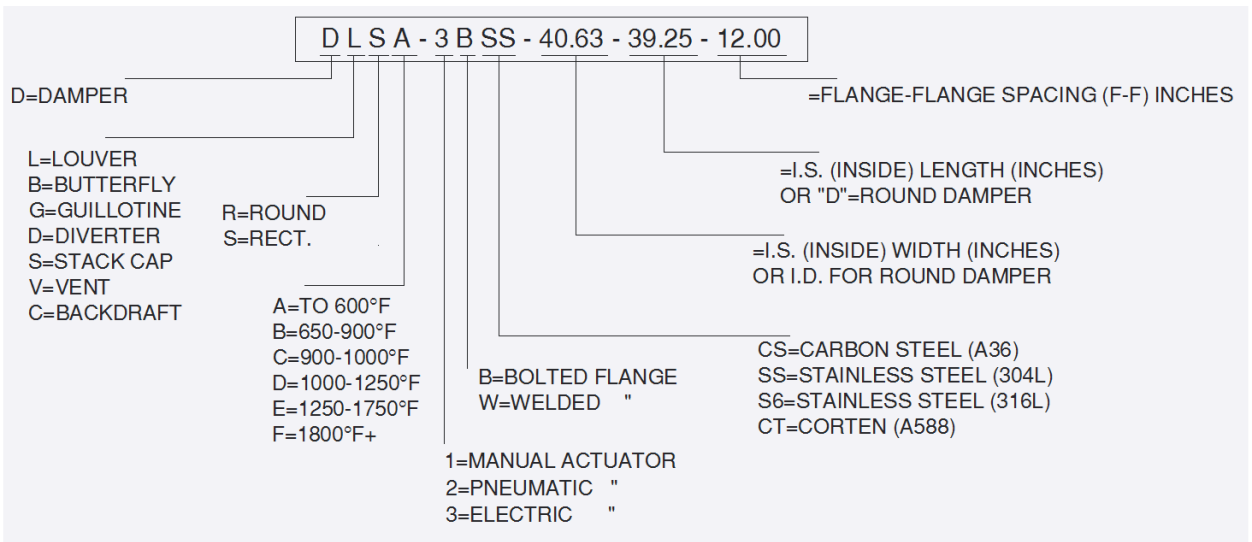


I.S. LENGTH

All NEWFAB Rectangular expansion joints use a 2" (51mm) radius corner to ensure a gas tight seal around the perimeter.

Dampers

Part Numbering



NEWFAB Flow Control Dampers are long-lasting, low maintenance units built with only the highest quality materials to our customers' exact specifications and operational requirements.

Standard features include:

- Heavy Duty Linkages with keyed connections
- Rugged Metal Seats
- Adjustable Packing Glands
- Bronze linkage bushings
- Outboard ball bearings
- Choice of Electric, Mechanical, or Pneumatic Actuators.

Other options are available not shown here. Contact NEWFAB Engineering for more information or to request a quote.



Diverter Damper

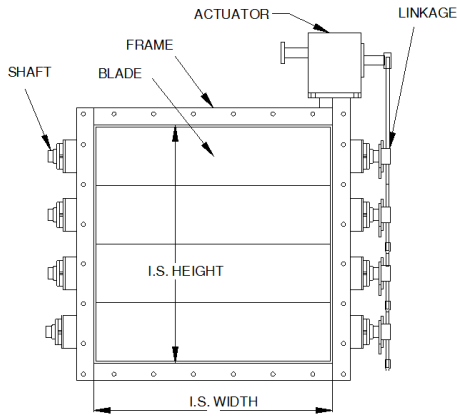


Butterfly Damper

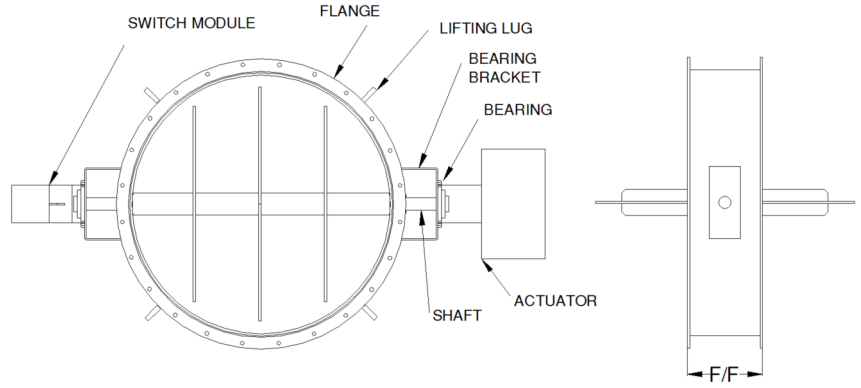


Louver Damper

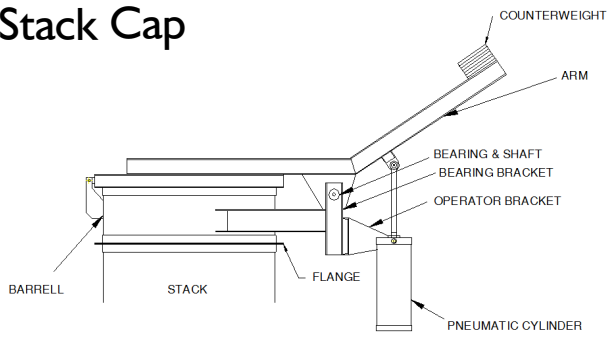
Louver



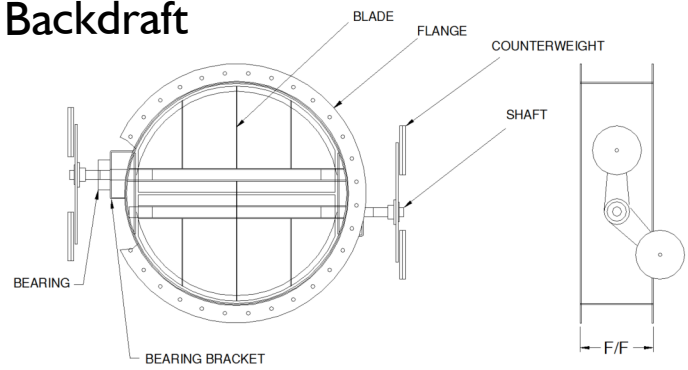
Butterfly



Stack Cap

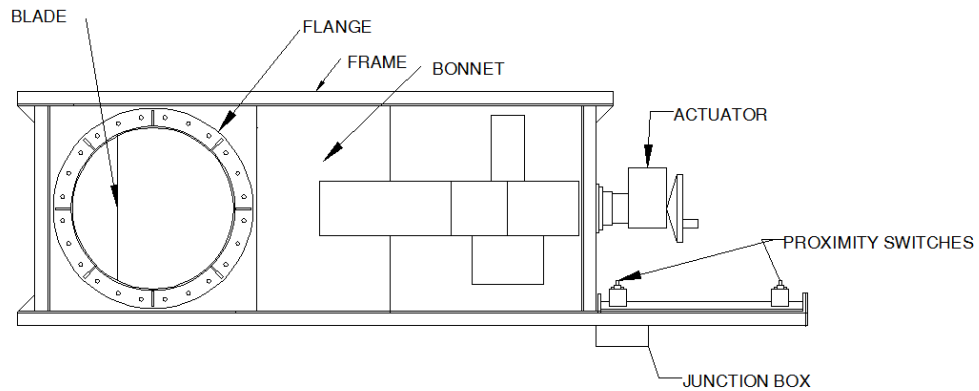


Vent/ Backdraft

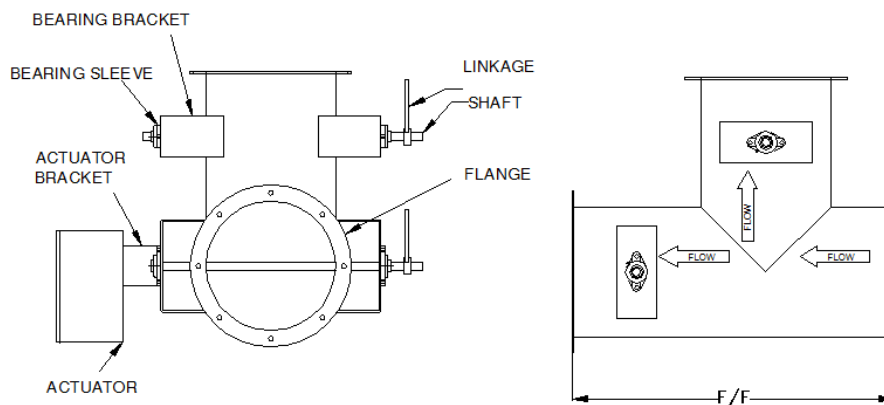


Series

Guillotine (Slide Gate)



Diverter



All units are tested in-house prior to shipment to ensure reliable performance.